



TDE系列機械泵

TDE Series of Magnetic Pump



實用型耐酸鹼機械泵

The practical resistance to acid and alkali pump

- 1、獨特的軸封設計，採用自冷式設計，無須外加冷卻。
The unique design of shaft seal used design self-cooled, without additional cooling.
- 2、葉輪採用一體成型，壽命長，效率高。
Adopt a integrated impeller, long life, high efficiency.
- 3、用於化學液體、循環或輸送製程、電鍍、化工、皮革、染整、廢水、廢棄處理等等
Chemical liquid, loop or transport process, electroplating, chemical industry, leather, dyeing, wastewater, waste gas treatment, etc.

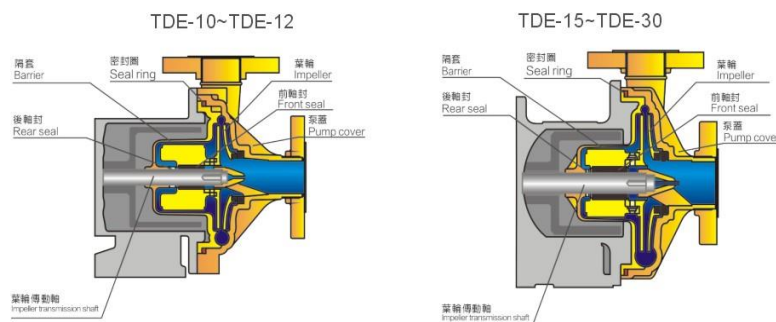
過流部件可選材料及溫度範圍

Flow components can select material and temperature range

過流部件 FLOW COMPONENTS	材料 MATERIALS	溫度範圍 TEMPERATURE RANGE
泵體 PUMP BODY	GF+PP	0°C~80°C
	PVDF	-30°C~100°C
密封件 SEALS	EPDM	0°C~60°C
	VITON	-55°C~200°C
	PTFE	-180°C~250°C
耐磨件 WEAR PARTS	碳石墨 Carbon-graphite	-10°C~80°C
	高純度氧化類陶瓷 High purity of oxide ceramic	-60°C~150°C

特殊材質可另訂製 / Special materials can be ordered

原理圖 / Principle diagram



性能參數 (以下是在馬達頻率為50Hz時的值)

Performance parameters (The following is in the motor frequency for frequency 50 Hz of value)

型號 MODEL	進出口徑 IN-OUTLET DIAMETER (mm)	最大流量 MAX. CAPACITY (L/min)	最高揚程 MAX. Head (m)	最佳工作點 STANDARD DUTY POINT (M-L/min)	最小流量 MAX. HEAD (L/min)	比重極限 S.G	馬達 MOTOR			參考重量 WEIGHT (kg)
							功率(kW) POWER	相數 PHASE	頻率(Hz) FREQUENCY	
TDE-10	40/40	240	11	10.5-100	10	1.2	0.4	3-220V/3-380V	50/60	21
TDE-12	40/40	280	13	11.5-150	10	1.2	0.75	3-220V/3-380V	50/60	23.77
TDE-15	50/40	420	23	20-200	20	1.2	1.5	3-220V/3-380V	50/60	34.97
TDE-25	50/40	480	30	23-200	20	1.2	2.2	3-220V/3-380V	50/60	39.6
TDE-30	50/40	550	33	30-100	20	1.2	3.7	3-220V/3-380V	50/60	43.48

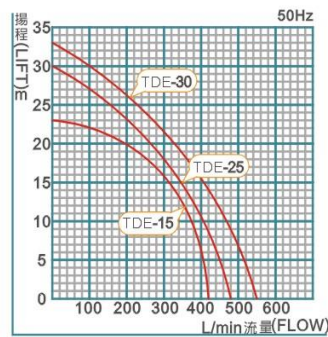
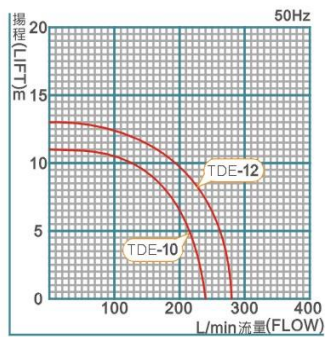
備註 (NOTE):

- 以上所示的比重極限是當軸功率最大，液體黏度為1mpa·s時的值。
- 上述比重極限是指最大流量時的值，根據流量的變化，比重極限也會有所變化，如需調整請與我們聯繫。
- 環境溫度範圍：0~40°C
- Shown above the limit is the proportion of the shaft power when the largest, liquid viscosity for 1 mPa · s value.
- The key limit refers to than the maximum flow of value, according to the change of flow, proportion limit will also change, such as the need to adjust, please contact us.
- Environment temperature range: 0~40°C

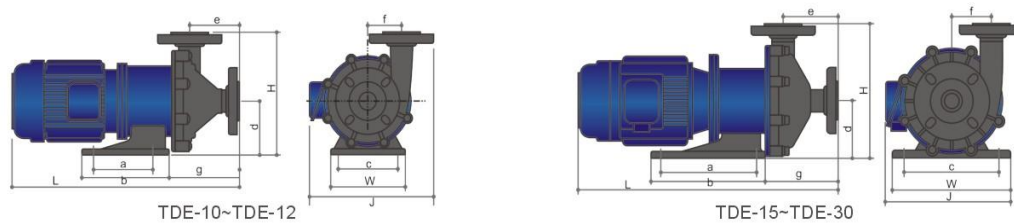


👉 TDE系列分解圖 / TDE series decomposition figure

👇 性能曲線圖 / Performance curve



👇 外型尺寸圖 / Install Dimension



👇 外型尺寸表 / Dimension Table

型號 MODEL	L(mm)	W(mm)	H(mm)	a(mm)	b(mm)	c(mm)	d(mm)	e(mm)	f(mm)	g(mm)	J(mm)
TDE-10	502	160	261	115	221	130	122	116	61	143	290
TDE-12	502	160	261	115	221	130	122	116	61	143	290
TDE-15	595	260	286	202	251	205	124	93	80	143	310
TDE-25	595	260	286	202	251	205	124	93	80	143	310
TDE-30	602	260	286	202	251	205	124	93	80	143	310

備註 (NOTE):

- 泵和液體無金屬接觸，可接受液體會含有固體顆粒，微粒大小和硬度請諮詢我們
- Pump and liquid no metal contact, can accept liquid containing solid particles, particle size and hardness please consult us
- 泵不能在出口閥關閉狀態下連續運行，必須保證最小流量
- Pump in the outlet valve can't closed run continuously, must ensure that the minimum flow



TGD系列自吸機械泵

TGD Series of mechanical Pump



↓ 原理圖 / Principle diagram

實用型自吸機械泵

The practical self-priming mechanical pump.

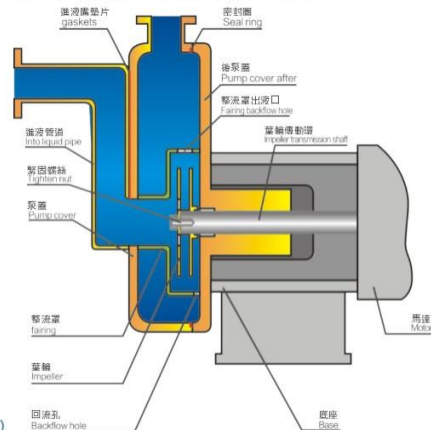
- 1、獨特的軸封設計，採用自冷式設計，無須外加冷卻。
The unique design of shaft seal used design self-cooled, without additional cooling.
- 2、葉輪採用一體成型，壽命長，效率高。
Adopt a integrated impeller, long life, high efficiency.
- 3、用於化學液體、循環或輸送製程、電鍍、化工、皮革、染整、廢水、廢棄處理等等
Chemical liquid, loop or transport process, electroplating, chemical industry, leather, dyeing, wastewater, waste gas treatment, etc.

過流部件可選材料及溫度範圍

Flow components can select material and temperature range

過流部件 FLOW COMPONENTS	材料 MATERIALS	溫度範圍 TEMPERATURE RANGE
泵體 PUMP BODY	GF+PP	0°C~80°C
	PVDF	-30°C~100°C
密封件 SEALS	EPDM	0°C~60°C
	VITON	-55°C~200°C
	PTFE	-180°C~250°C
耐磨件 WEAR PARTS	碳石墨 Carbon-graphite	-10°C~80°C
	高純度氧化類陶瓷 High purity of oxide ceramic	-60°C~150°C

特殊材質可另訂製 / Special materials can be ordered



↓ 性能參數 (以下是在馬達頻率為50Hz時的值)

Performance parameters (The following is in the motor frequency for frequency 50 Hz of value)

型號 MODEL	進出口徑 IN-OUTLET DIAMETER (mm)	最大流量 MAX. CAPACITY (L/min)	最高揚程 MAX. Head (m)	最佳工作點 STANDARD DUTY POINT (M-L/min)	最小流量 MAX. HEAD (L/min)	比重極限 S.G	馬達 MOTOR			參考重量 WEIGHT (kg)
							功率 (kW) POWER	相數 PHASE	頻率 (Hz) FREQUENCY	
TGD-40012	40/40	210	7	5-150	10	1.2	0.75	3-220V、3-380V	50/60	29.75
TGD-40022	40/40	300	12	9-200	10	1.2	1.5	3-220V、3-380V	50/60	34.17
TGD-50032	50/50	410	18	12-330	20	1.2	2.2	3-220V、3-380V	50/60	39.5
TGD-50052	50/50	550	20	15-380	50	1.2	3.7	3-220V、3-380V	50/60	43.3
TGD-75052	80/80	730	22	18-450	50	1.2	3.7	3-220V、3-380V	50/60	45
TGD/TGL-75072	80/80	900	26.5	20-530	50	1.2	5.5	3-220V、3-380V	50/60	52
TGD/TGL-75102	80/80	960	28	23-600	50	1.2	7.5	3-220V、3-380V	50/60	55

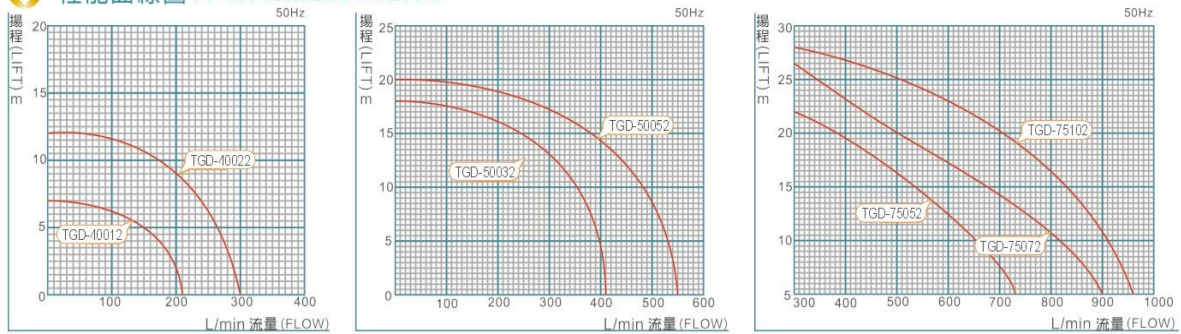
備註 (NOTE):

- 以上所示的比重極限是當軸功率最大，液體黏度為1mPa·s時的值。
- 上述比重極限是指最大流量時的值，根據流量的變化，比重極限也會有所變化，如需調整請與我們聯繫。
- 環境溫度範圍
- Shown above the limit is the proportion of the shaft power when the largest, liquid viscosity for 1 mPa · s value.
- The key limit refers to than the maximum flow of value, according to the change of flow, proportion limit will also change, such as the need to adjust, please contact us.
- Environment temperature range: 0 ~ 40 °C

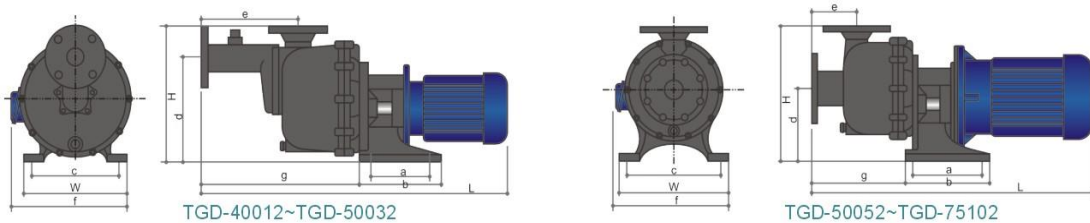


↑ TGD系列分解圖 / TGD series decomposition figure

↓ 性能曲線圖 / Performance curve



↓ 外型尺寸圖 / Install Dimension



↓ 外型尺寸表 / Dimension Table

型號 MODEL	L(mm)	W(mm)	H(mm)	a(mm)	b(mm)	c(mm)	d(mm)	e(mm)	g(mm)	f(mm)
TGD-40012	705	250	335	142	197	205	262	243	396	331
TGD-40022	705	250	335	142	197	205	262	243	396	335
TGD-50032	760	250	335	142	197	205	258	242	396	335
TGD-50052	760	250	335	142	197	205	258	108	320	335
TGD-75052	734	250	330	142	325	205	159	108	320	335
TGD/TGL-75072	905	282	425	250	329	205	240	108	320	420
TGD/TGL-75102	905	282	425	250	329	205	240	108	320	420

備註 (NOTE):

- 泵和液體無金屬接觸，可接受液體含有固體顆粒，微粒大小和硬度請諮詢我們
- Pump and liquid no metal contact, can accept liquid containing solid particles, particle size and hardness please consult us
- 泵不能在出口閥關閉狀態下連續運行，必須保證最小流量
- Pump in the outlet valve can't closed run continuously, must ensure that the minimum flow



TDI 系列耐酸鹼泵

TDI Series of Resistance to acid and alkali pump



實用型耐酸鹼泵

The practical Resistance to acid and alkali pump

1、獨特的軸封設計，無冷卻循環迴路設計，後封蓋為一體成形，組裝簡易，不可空轉使用。

The unique design of the shaft sealing: no cooling loop design, block as a whole after forming, easy assembly, cannot be used in idle.

2、化學液體循環式輸送電鍍、化工、皮革、染印廢水等。

Chemical liquid circulating conveying electroplating, chemical, leather, dye printing wastewater, etc.

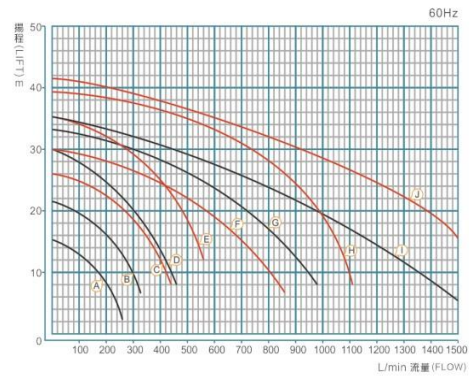
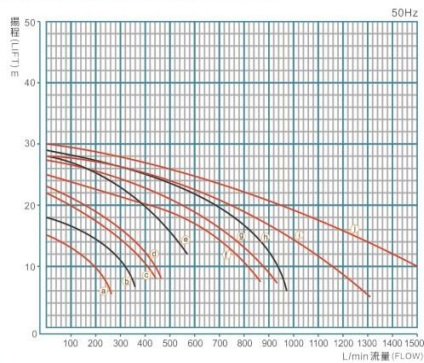
過流部件可選材料及溫度範圍

Flow components can select material and temperature range

過流部件 FLOW COMPONENTS	材料 MATERIALS	溫度範圍 TEMPERATURE RANGE
泵體 PUMP BODY	GF+PP	0°C~80°C
	PVDF	-30°C~100°C
密封件 SEALS	EPDM	0°C~60°C
	VITON	-55°C~200°C
	PTFE	-180°C~250°C
耐磨件 WEAR PARTS	碳石墨 Carbon-graphite	-10°C~80°C
	高純度氧化類陶瓷 High purity of oxide ceramic	-60°C~150°C

特殊材質可另訂製 / Special materials can be ordered

性能曲線圖 / Performance curve



性能參數 (以下是在馬達頻率為50Hz時的值)

Performance parameters (The following is in the motor frequency for frequency 50 Hz of value)

型號 MODEL	進出口徑 IN-OUTLET DIAMETER(mm)	相數 PHASE	HP	50HZ			60HZ			參考重量 WEIGHT (kg)
				曲線 CURVE	最高揚程 MAX. HEAD(m)	最大流量 MAX. CAPACITY(L/min)	曲線 CURVE	最高揚程 MAX. HEAD(m)	最大流量 MAX. CAPACITY(L/min)	
TDI-1HP	40/40	3Φ	1	a	15	250	A	15	240	21
TDI-2HP	40/40	3Φ	2	b	18	340	B	21	330	30
TDI-3HP	40/40	3Φ	3	c	22	420	C	26	430	33
TDI-3HP	50/50	3Φ	3	d	23	450	D	30	460	34
TDI-5HP	50/50	3Φ	5	e	28	560	E	35	560	47
TDI-5HP	75/75	3Φ	5	f	25	850	F	30	850	49
TDI-7.5HP	75/75	3Φ	7.5	g	27	930	G	33	980	73
TDI-10HP	75/75	3Φ	10	h	29	950	H	39	1100	80
TDI-10HP	100/100	3Φ	10	i	28	1300	I	35	1500	81
TDI-15HP	100/100	3Φ	15	j	30	1500	J	41	1750	110



TDA 系列不鏽鋼離心泵

TDA series stainless steel centrifugal pump



不鏽鋼離心泵

Stainless steel centrifugal pump

1、本泵浦主體採用SUS材質精密脫蠟鑄造加工而成，泵體內外均衡平滑，尺寸性高。

The pump body adopts SUS material precision lost wax casting and external equilibrium in the pump body smooth and high dimension.

2、特殊設計的葉輪，效率高，壽命長，聲音小，體積小，且吸水揚水性能特佳，採用不銹鋼軸，經久耐用，馬力1/2HP~40HP。

Special design of the impeller, high efficiency, long life, small voice, the body is small, and absorbing water pumping performance is very high, with stainless steel shaft, durable, 40 HP HP - 1/2 horsepower.

3、根據各種化學環境場所需要，可選擇不同泵體材質，SUS304、SUS316、SUS316L及軸封材質。

According to the needs of various chemical environment place, can choose different pump body materials, SUS304, SUS316, SUS316L and shaft sealing material.



性能參數 (以下是在馬達頻率為50Hz時的值)

Performance parameters (The following is in the motor frequency for frequency 50 Hz of value)

型號 MODEL	功率 POWER (kW)	進出口徑 IN-OUTLET DIAMETER (mm)	極數P Charge	10M		15M		20M		25M		30M		35M		40M		曲線 CURVE
				L/min	m ³ /H	L/min	m ³ /H	L/min	m ³ /H	L/min	m ³ /H	L/min	m ³ /H	L/min	m ³ /H	L/min	m ³ /H	
TDA-25-1/2	0.375	25/25	2	115	6.9	80	4.8											a
TDA-25-1	0.75	25/25	2	140	8.4	100	6											b
TDA-40-1	0.75	40/40	2	190	11.4	120	7.2											c
TDA-40-2	1.5	40/40	2	250	15	230	13.8	200	12	160	9.6							d
TDA-50-2	1.5	50/50	2	340	20.4	260	15.6	120	7.2									e
TDA-40-3	2.2	40/40	2	360	21.6	340	20.4	330	19.8	255	15.3	190	9.6					f
TDA-50-3	2.2	50/50	2	420	25.2	390	23.4	350	21	270	16.2							g
TDA-65-3	2.2	65/65	2	580	34.8	490	29.4	385	23.1									h
TDA-50-5	3.75	50/50	2	550	33	500	30	460	27.6	425	25.5	390	23.4					i
TDA-65-5	3.75	65/65	2	845	50.7	735	44.1	620	37.2	485	29.1							j
TDA-80-5	3.75	80/80	2	890	53.4	810	48.6	760	45.6	650	39							k
TDA-80-7.5	5.5	80/80	2	980	58.8	900	54	800	48	680	40.8	550	33					l
TDA-100-7.5	5.5	100/100	2	1265	75.9	1070	64.2	690	41.7									m
TDA-80-10	7.5	80/80	2	890	53.4	860	51.6	820	49.2	760	45.6	670	40.2					n
TDA-100-10	7.5	100/100	2	1450	87	1300	78	1090	65.4									o
TDA-80-15	11	80/80	2	1035	62.1	975	58.5	920	55.2	870	52.2	825	49.5	785	47.1			p
TDA-100-15	11	100/100	2	2040	122.4	1820	109.2	1600	96	1410	84.6	1330	79.8	1220	73.2			q
TDA-125-15	11	125/125	2	2460	147.6	2300	96	1870	112.2									r
TDA-80-20	15	80/80	2	1605	96.3	1535	92.1	1470	88.2	1405	84.3	1330	79.5	1145	68.7	1050	63	s
TDA-100-20	15	100/100	2	2850	171	2530	151.8	2230	133.8	1950	117	1670	100.2	1430	85.8	1210	72.6	t
TDA-125-20	15	125/125	2	2710	162.6	2430	145.8	2230	133.8	1850	111							u
TDA-150-20	15	150/150	2	2810	168.6	2560	153.6	2370	142									v
TDA-125-25	18.5	125/125	2	3150	189	2800	168	2420	145.2	1910	114.6	1450	87	1330	78	1150	69	w
TDA-150-25	18.5	150/150	2	3350	201	3000	180	2620	157.2	2110	126.6	1650	99					x
TDA-125-30	22	125/125	2	5250	315	5000	300	4230	253.8	4000	240	3650	219	3350	201	3200	192	y
TDA-150-30	22	150/150	2	5980	368.8	5620	337.2	5210	312.6	4940	296.4	4340	260.4	3510	210.6			z
TDA-125-40	30	125/125	2	5355	321.3	5015	300.9	4330	259.8	4100	246	3852	231.1	3410	204	3300	198	A
TDA-150-40	40	150/150	2	6210	372.6	6000	360	5825	349.5	5010	300.8	4475	268.5	3640	218.4	3450	207	B



性能曲線圖 / Performance curve

